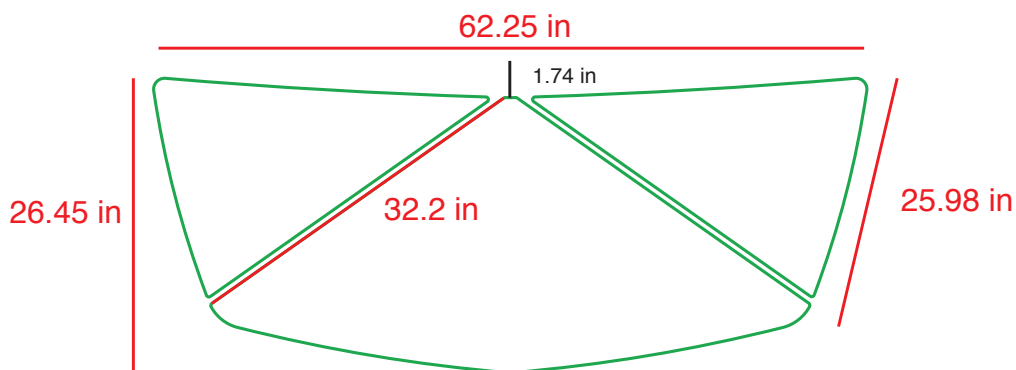


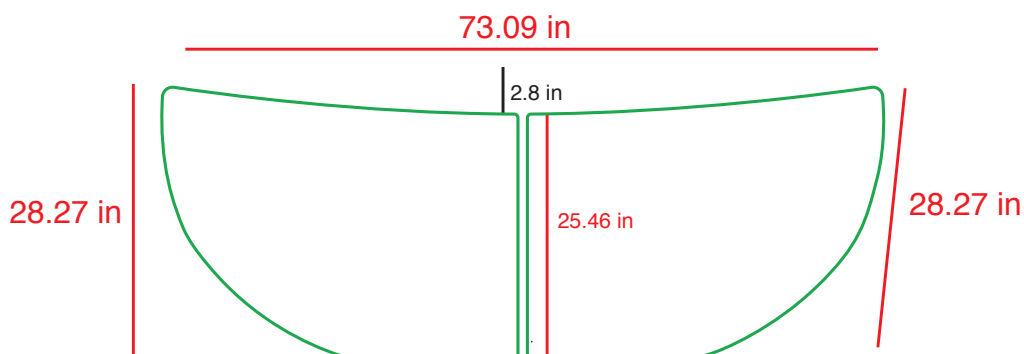
Due to Tigé Boat's extensive catalog and the popular use of third-party swimsteps, we have collected all of the swimsteps we have available for your reference.

Please be sure to check the measurements of your swimstep with the available swimsteps below. If your swimstep does not match any of the below versions, we recommend using one of our template kits to get that perfect Gatorstep fit.

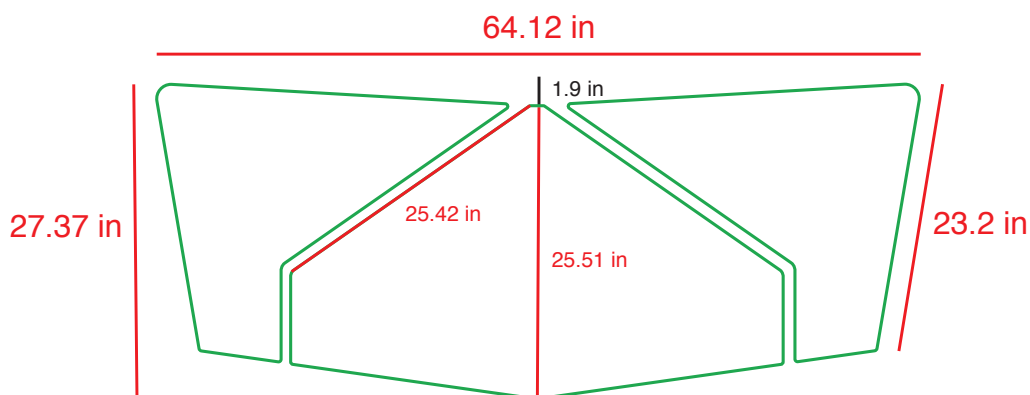
Version 1 (3 Piece)



Version 2 (2 Piece)



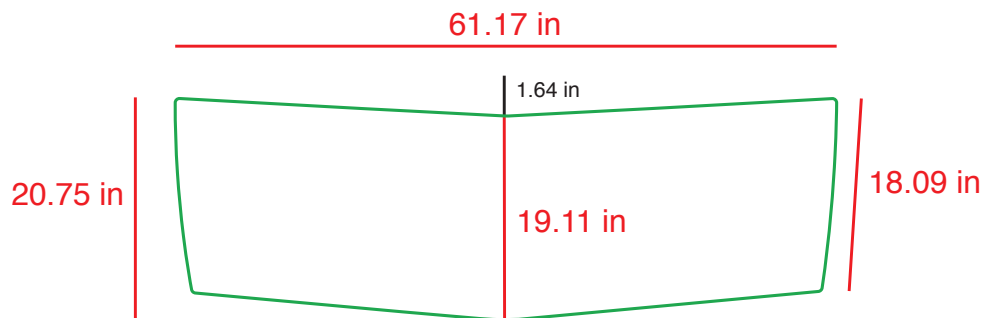
Version 3 (3 Piece)



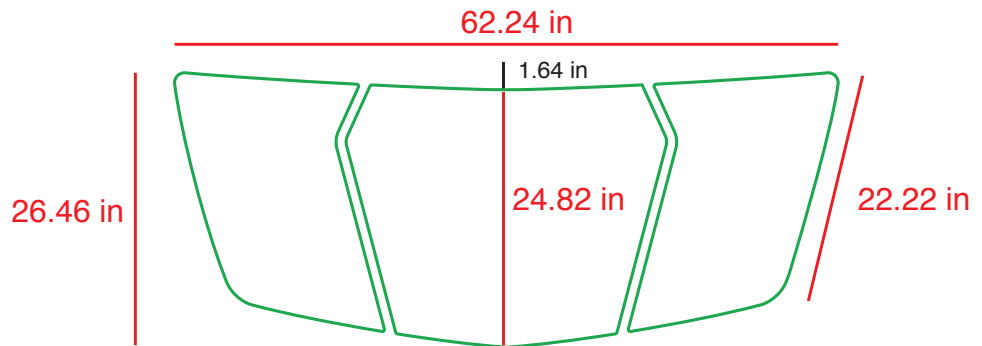
Due to Tigé Boat's extensive catalog and the popular use of third-party swimsteps, we have collected all of the swimsteps we have available for your reference.

Please be sure to check the measurements of your swimstep with the available swimsteps below. If your swimstep does not match any of the below versions, we recommend using one of our template kits to get that perfect Gatorstep fit.

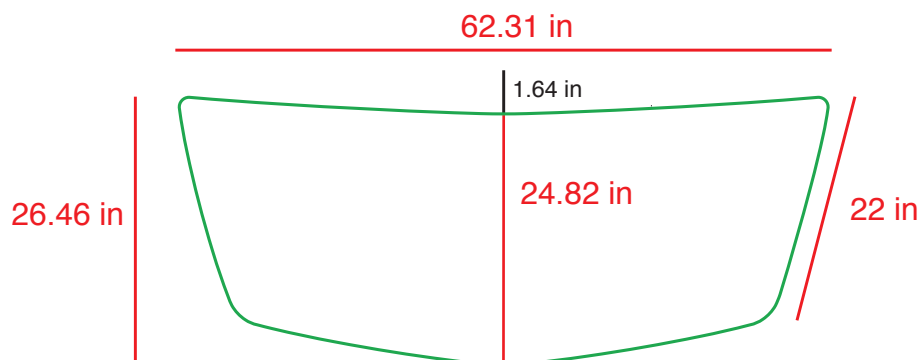
Version 4 (1 Piece)



Version 5 (3 Piece)



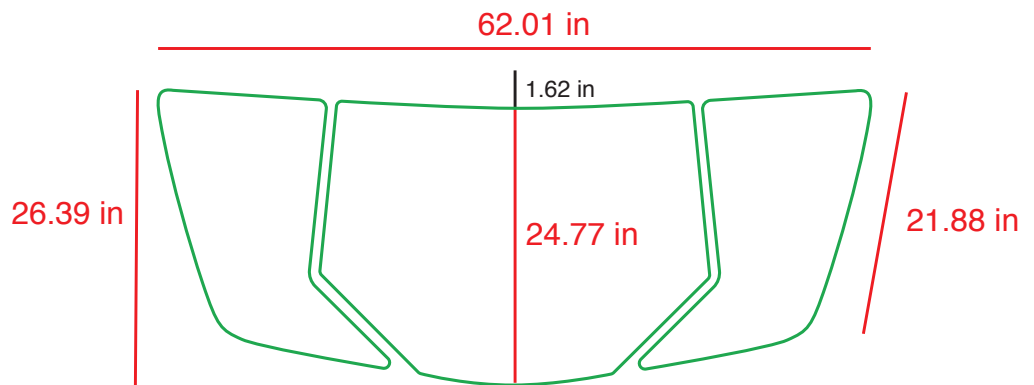
Version 6 (1 Piece)



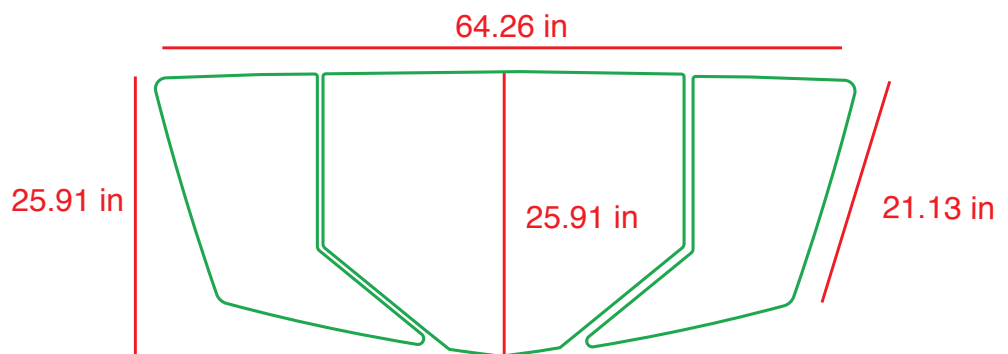
Due to Tigé Boat's extensive catalog and the popular use of third-party swimsteps, we have collected all of the swimsteps we have available for your reference.

Please be sure to check the measurements of your swimstep with the available swimsteps below. If your swimstep does not match any of the below versions, we recommend using one of our template kits to get that perfect Gatorstep fit.

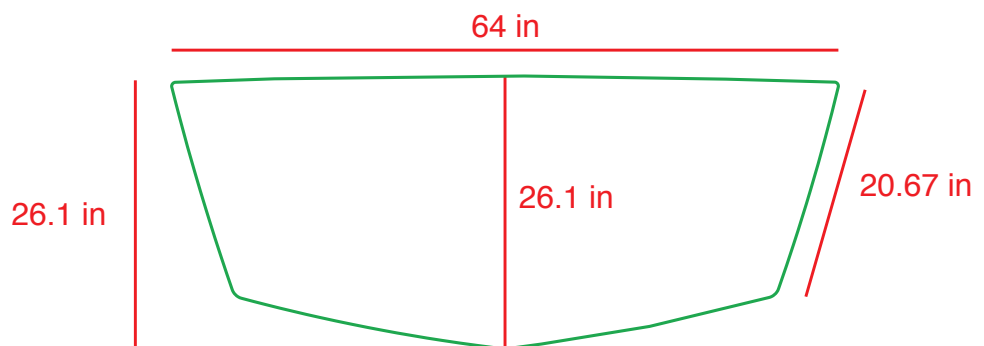
Version 7 (3 Piece)



Version 8 (3 Piece)



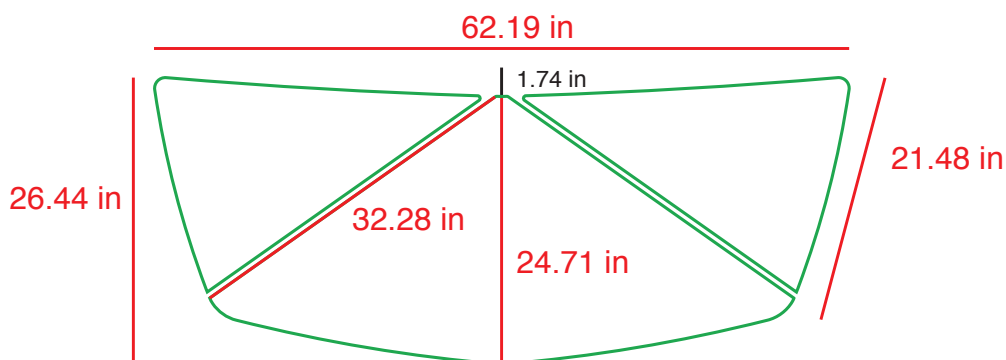
Version 9 (1 Piece)



Due to Tigé Boat's extensive catalog and the popular use of third-party swimsteps, we have collected all of the swimsteps we have available for your reference.

Please be sure to check the measurements of your swimstep with the available swimsteps below. If your swimstep does not match any of the below versions, we recommend using one of our template kits to get that perfect Gatorstep fit.

Version 10 (3 Piece)



Version 11 (2 Piece)

