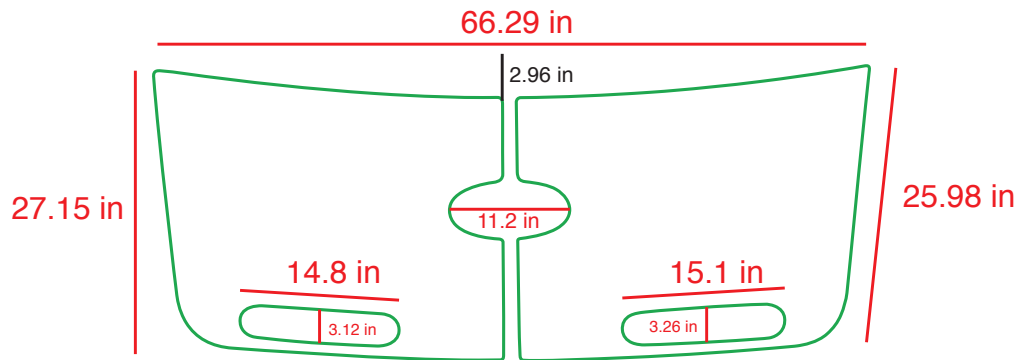


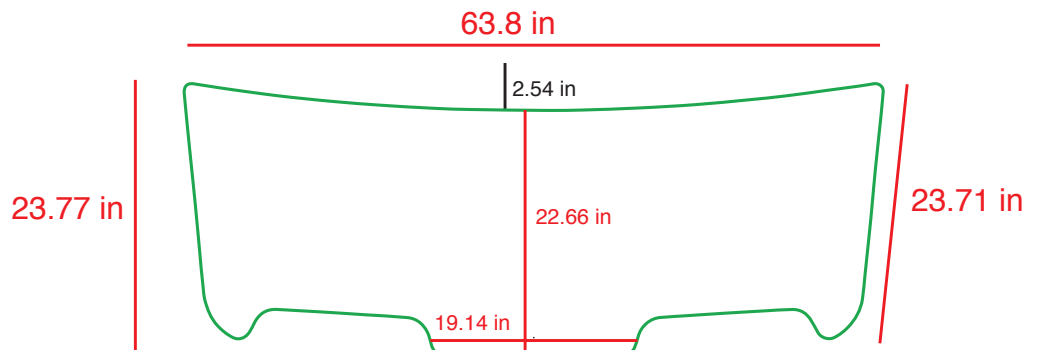
Due to MasterCraft Boat's extensive catalog and the popular use of third-party swimsteps, we have collected all of the swimsteps we have available for your reference.

Please be sure to check the measurements of your swimstep with the available swimsteps below. If your swimstep does not match any of the below versions, we recommend using one of our template kits to get that perfect Gatorstep fit.

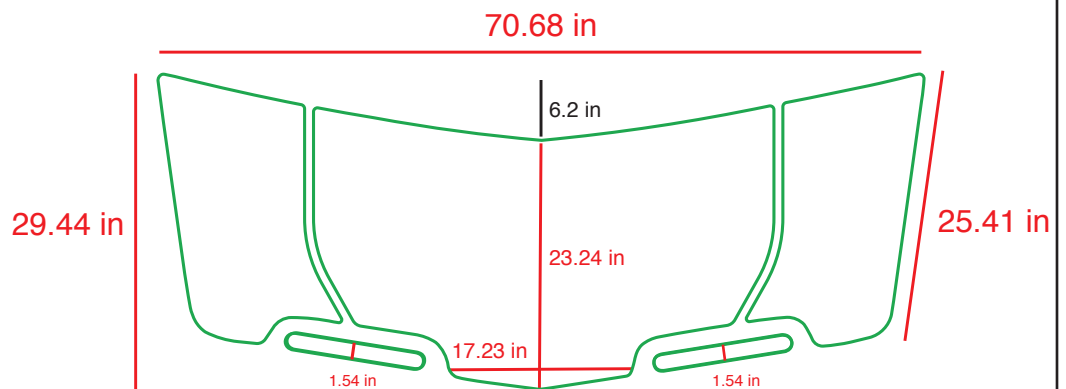
## Version 1 (2 Piece)



## Version 2 (1 Piece)



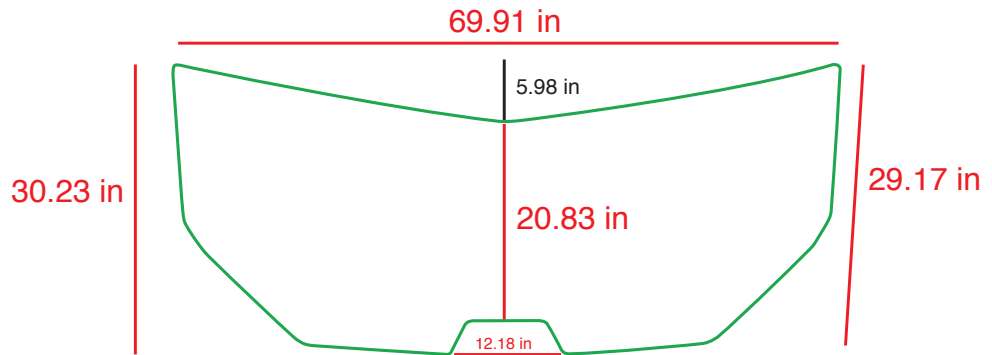
## Version 3 (1 -3 Piece)



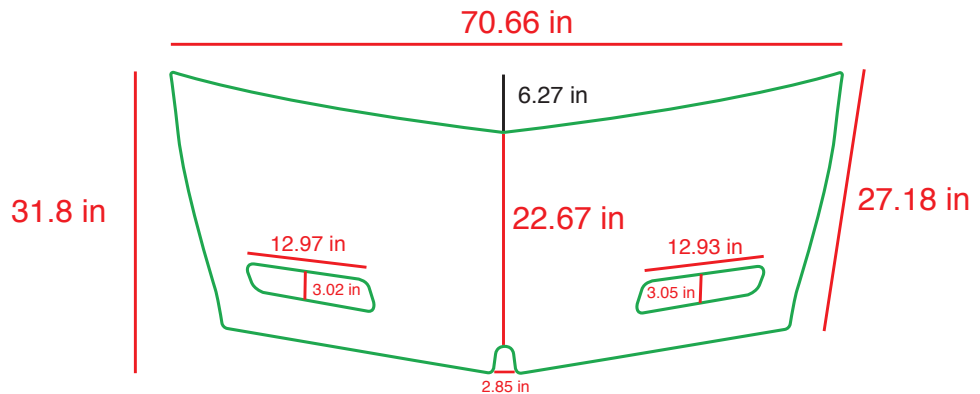
Due to MasterCraft Boat's extensive catalog and the popular use of third-party swimsteps, we have collected all of the swimsteps we have available for your reference.

Please be sure to check the measurements of your swimstep with the available swimsteps below. If your swimstep does not match any of the below versions, we recommend using one of our template kits to get that perfect Gatorstep fit.

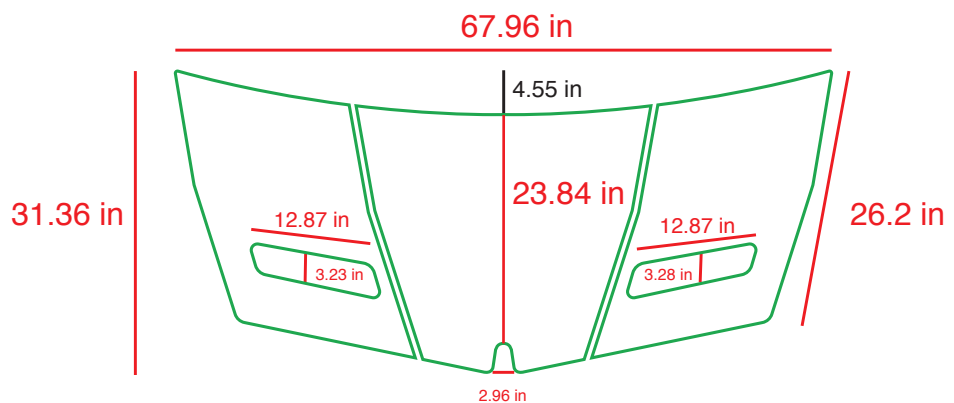
## Version 4 (1 Piece)



## Version 5 (1 Piece)



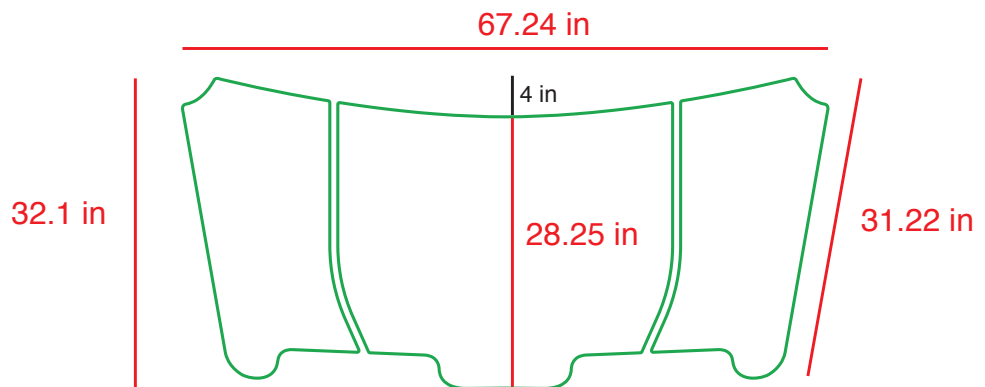
## Version 6 (1-3 Piece)



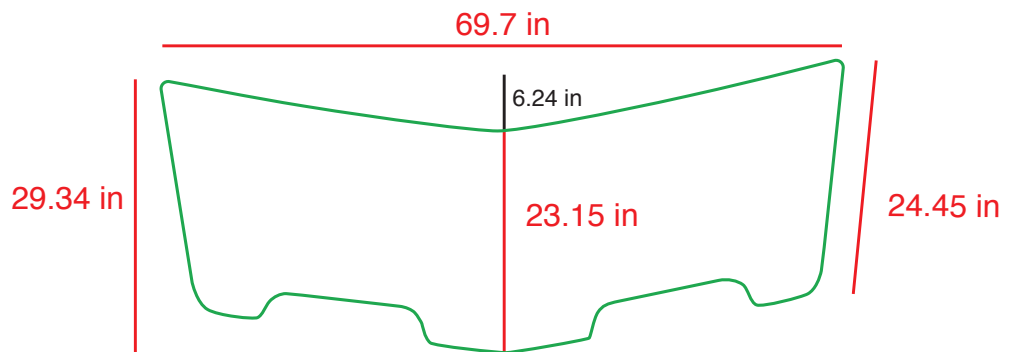
Due to MasterCraft Boat's extensive catalog and the popular use of third-party swimsteps, we have collected all of the swimsteps we have available for your reference.

Please be sure to check the measurements of your swimstep with the available swimsteps below. If your swimstep does not match any of the below versions, we recommend using one of our template kits to get that perfect Gatorstep fit.

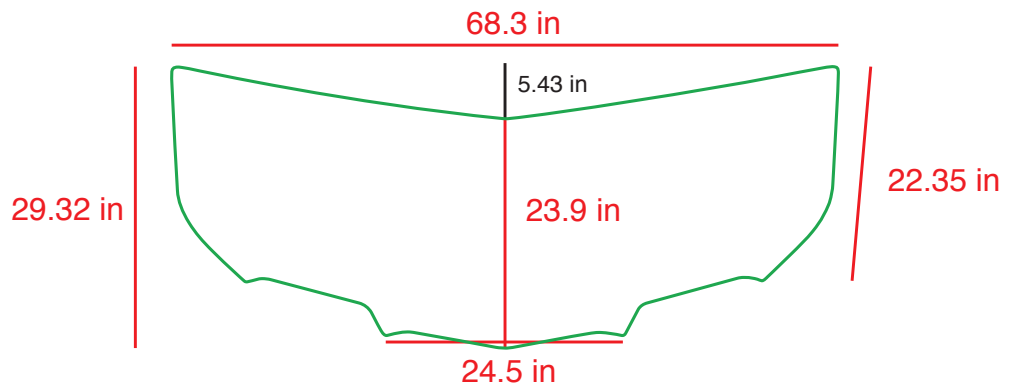
## Version 7 (1-3 Piece)



## Version 8 (1 Piece)



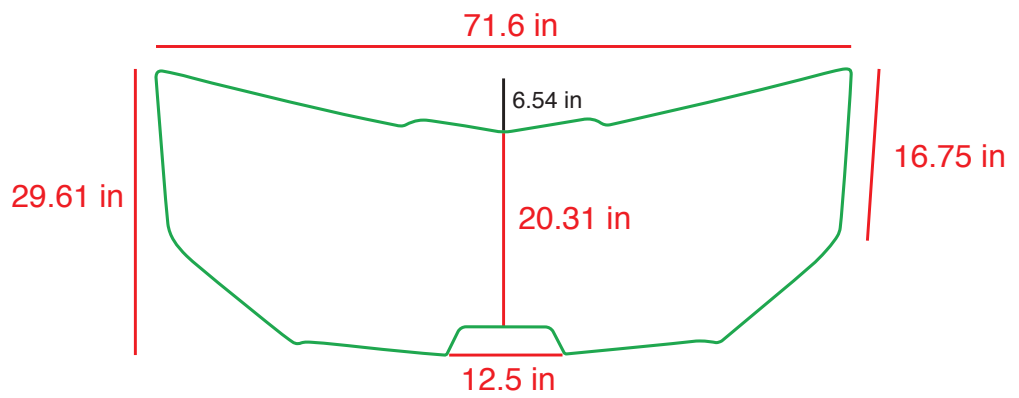
## Version 9 (1 Piece)



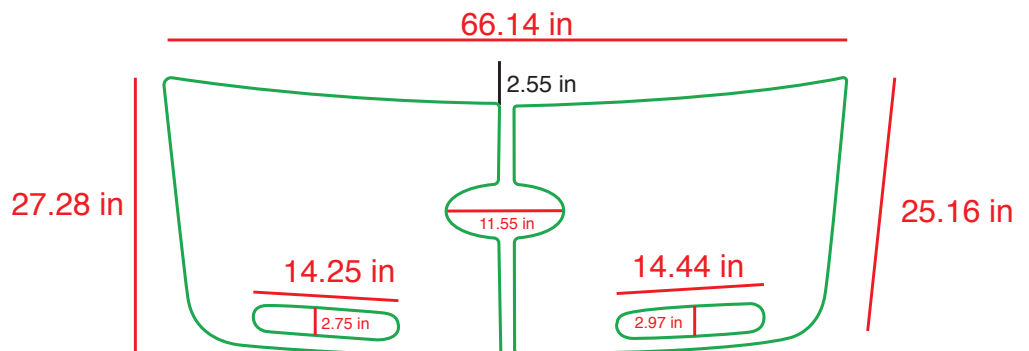
Due to MasterCraft Boat's extensive catalog and the popular use of third-party swimsteps, we have collected all of the swimsteps we have available for your reference.

Please be sure to check the measurements of your swimstep with the available swimsteps below. If your swimstep does not match any of the below versions, we recommend using one of our template kits to get that perfect Gatorstep fit.

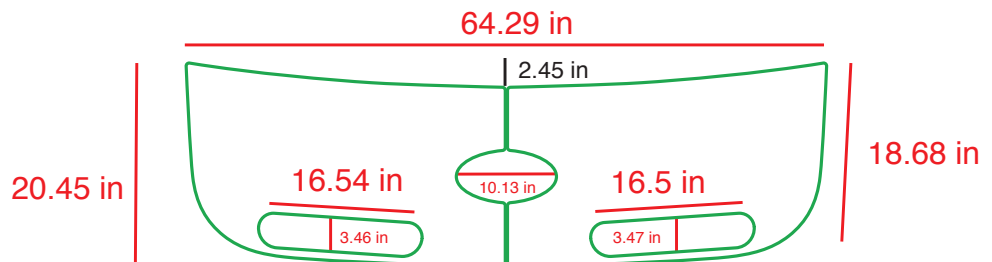
## Version 10 (1 Piece)



## Version 11 (2 Piece)



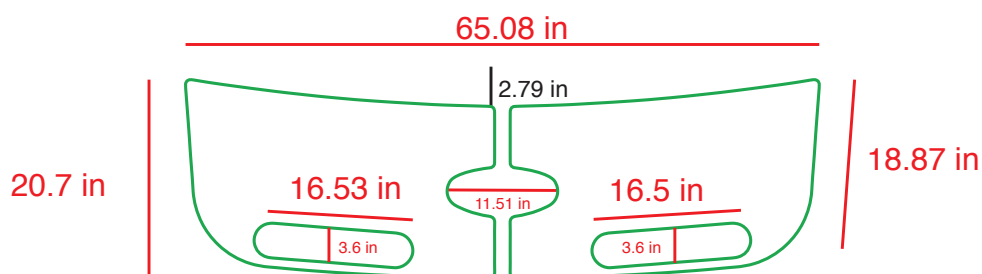
## Version 12 (2 Piece)



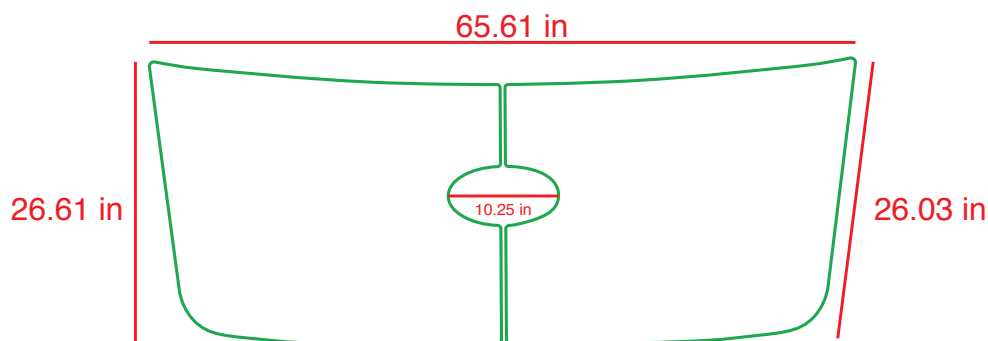
Due to MasterCraft Boat's extensive catalog and the popular use of third-party swimsteps, we have collected all of the swimsteps we have available for your reference.

Please be sure to check the measurements of your swimstep with the available swimsteps below. If your swimstep does not match any of the below versions, we recommend using one of our template kits to get that perfect Gatorstep fit.

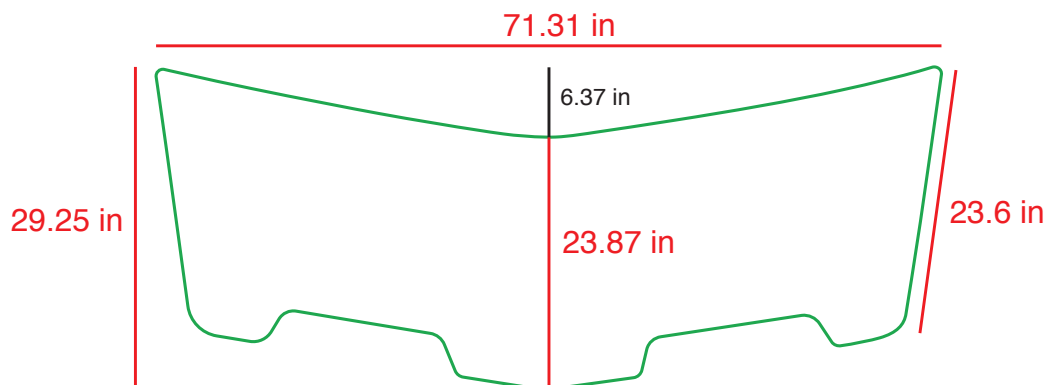
## Version 13 (2 Piece)



## Version 14 (2 Piece)



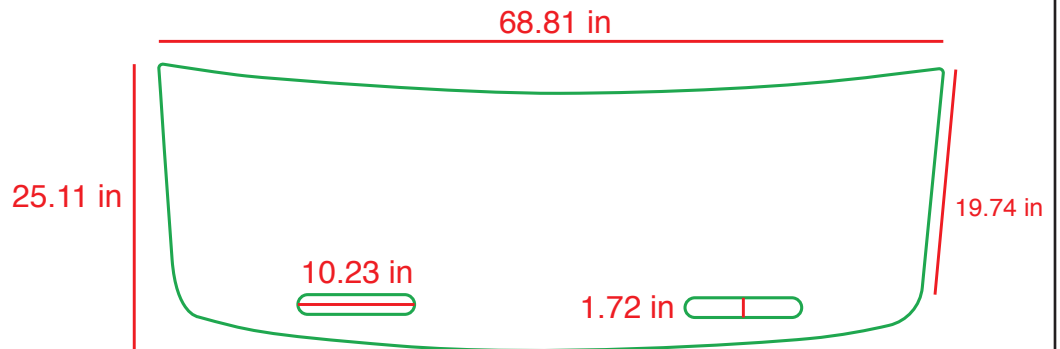
## Version 15 (1 Piece)



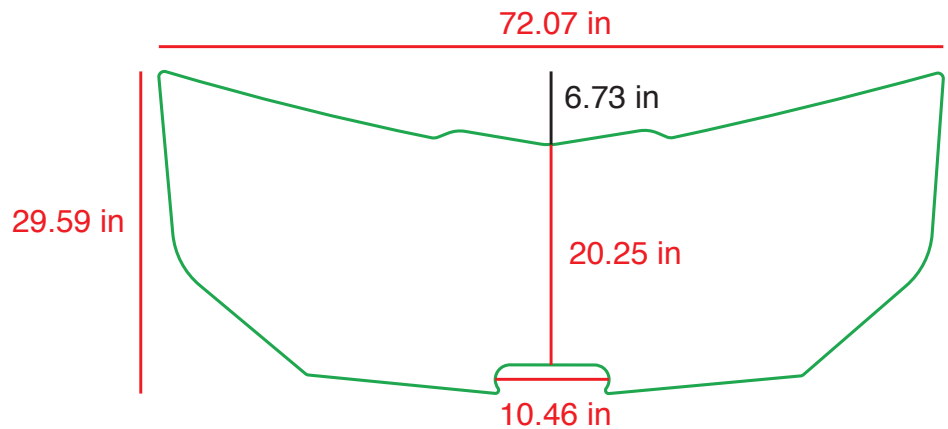
Due to MasterCraft Boat's extensive catalog and the popular use of third-party swimsteps, we have collected all of the swimsteps we have available for your reference.

Please be sure to check the measurements of your swimstep with the available swimsteps below. If your swimstep does not match any of the below versions, we recommend using one of our template kits to get that perfect Gatorstep fit.

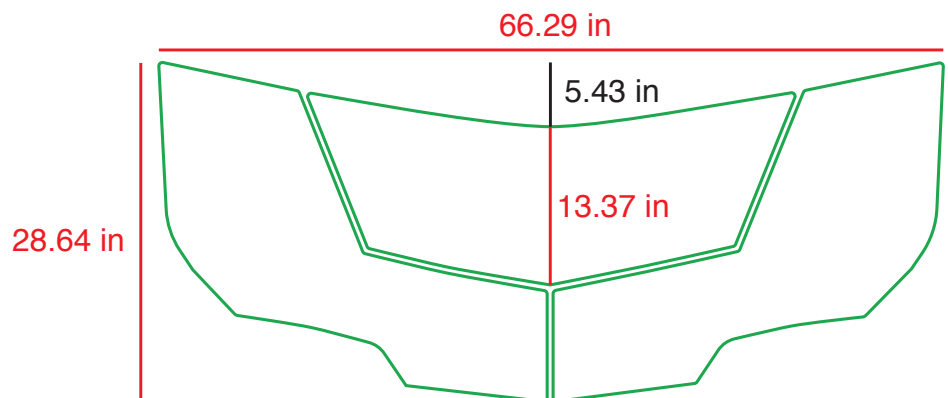
## Version 16 (1 Piece)



## Version 17 (1 Piece)



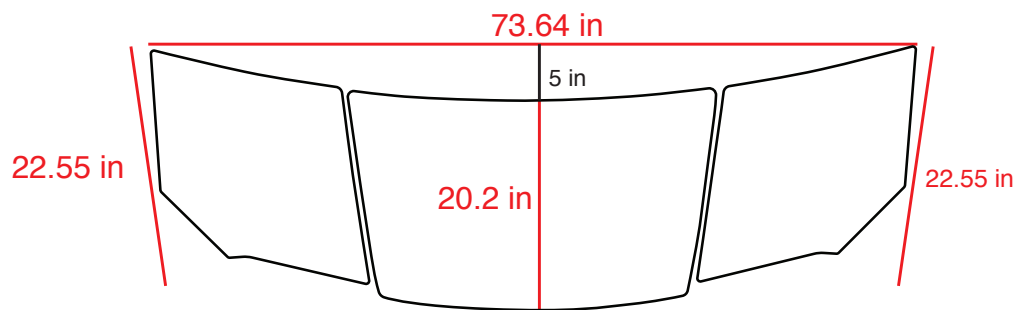
## Version 18 (3 Piece)



Due to MasterCraft Boat's extensive catalog and the popular use of third-party swimsteps, we have collected all of the swimsteps we have available for your reference.

Please be sure to check the measurements of your swimstep with the available swimsteps below. If your swimstep does not match any of the below versions, we recommend using one of our template kits to get that perfect Gatorstep fit.

## Version 19 (3 Piece)



## Version 20 (3 Piece)

